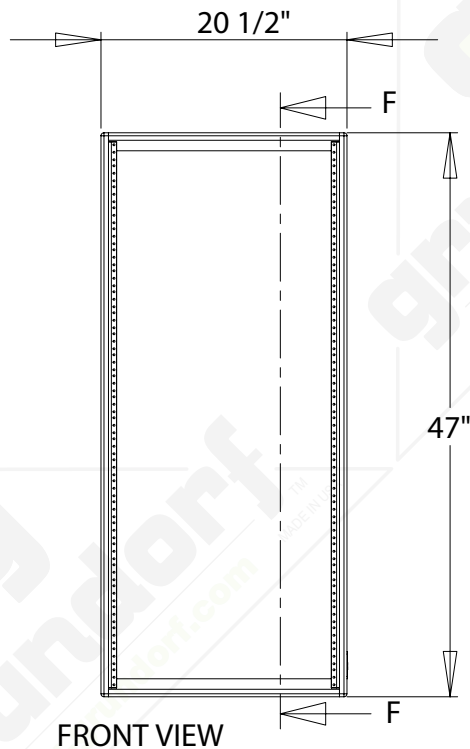
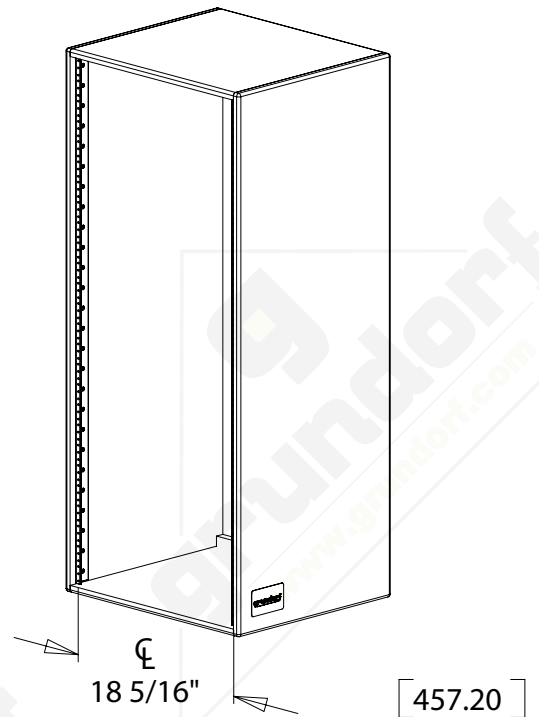
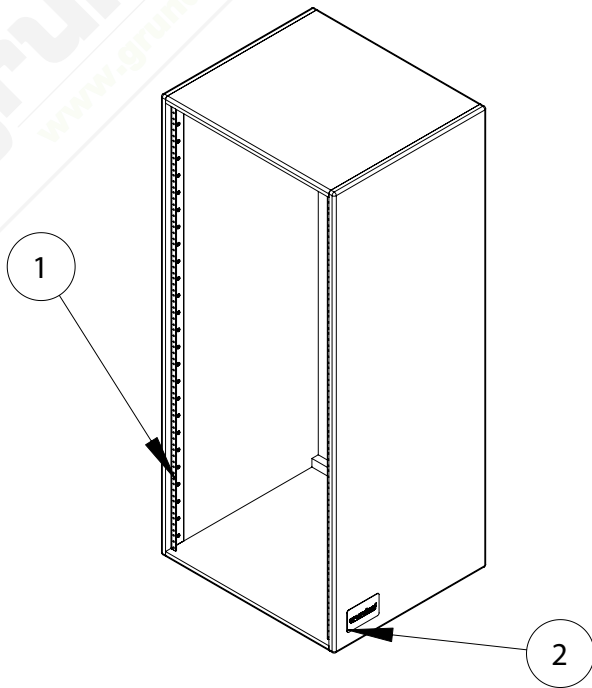
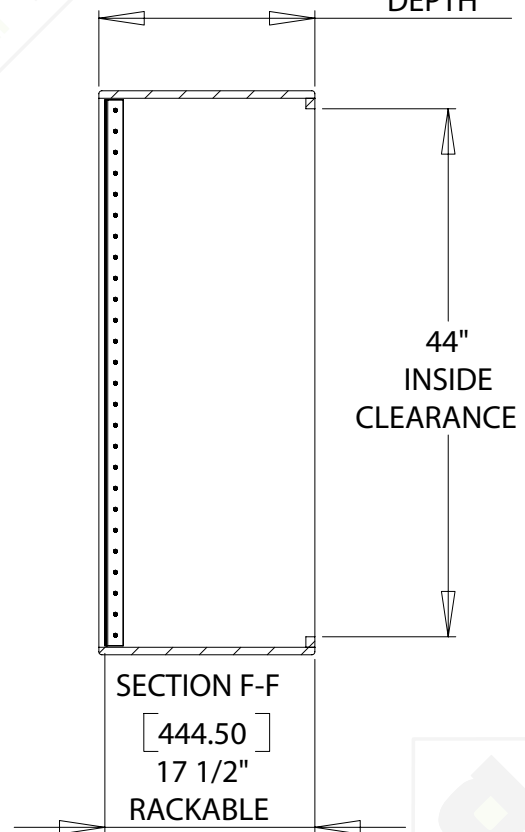


#	QTY	PART NUMBER	DESCRIPTION
1	2	41-026	RACK RAIL-26 SPACE
2	1	83-008	BADGE - GRUNDORF ORIGINAL



FRONT VIEW



SECTION F-F

[444.50]
17 1/2"
RACKABLE